



REVOLUTION POWER AUSTRALIA



RPL12-100 Battery Specifications

12V 100Ah LiFePO4 LITHIUM IRON PHOSPHATE BATTERY

Electrical Specifications

Nominal Voltage	12.8v
Nominal Capacity	100Ah
C20 Rating Useable amps to 10.5v	100A
Energy	1280Wh
Self-Discharge Rate	≤ 3%
Short Circuit Protection	200-500us

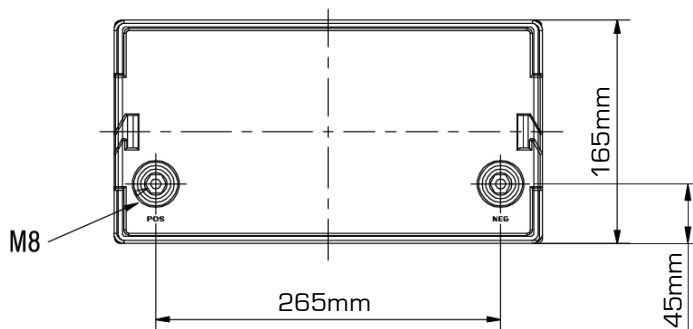
Discharge Specifications

Maximum Continuous Discharge	100A
Peak Discharge Current	400A Pulse 2 -4 sec
Life Cycles 80% DOD	2000
Life Cycles 50% DOD	5000

Operating Temperatures

Optimum Temperature Range	-10 ~ 50°C
Operational Temperature Range	-40 ~ 80 °C
Storage Temperature Range	-40 ~ 120 °C

Dimensions



Mechanical Specifications

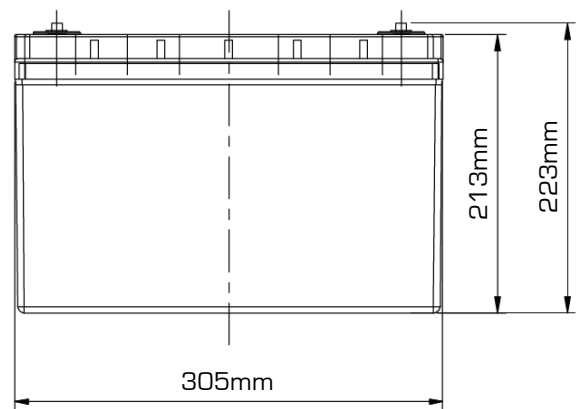
Dimension (L x W x H)	305x165x215mm
Weight	11.8Kg
Terminal Type	M8
Case Material	Polycarbonate
Enclosure Protection	Waterproof IP54
Cell Type Chemistry	Prismatic – LiFePO4

Charge Specifications

Recommended Charge Current	50A
Maximum Charge Current	100A
Recommended Charge Voltage	14.4-14.8v
BMS Charge Cut Off Voltage	15.6v
BMS Low Voltage Cut Off	10.0v

Compliance

Certifications and Testing	ISO9001 Certified
	CE Certified
	RoHS Certified
	UN38.3 Certified
	SGS Audited
	Intertek Audited



Revolution Power Australia
3/8 Metroplex Avenue
Murarrie Qld 4173

1300 303 498
info@rpoweraust.com.au
revolutionpoweraustralia.com.au

